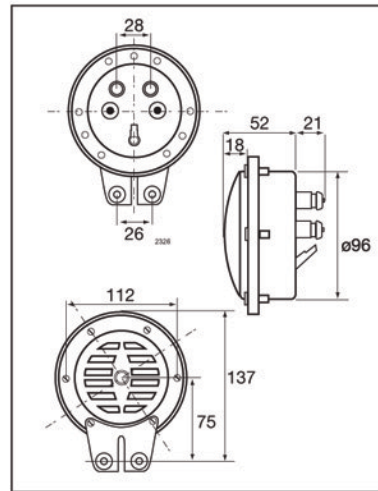


## AUDIBLE BUZZER Mechanical



Code No:	Voltage:	Frequency:	Current:
AB100M-DC	24/48v Ac/Dc $\approx$	420 Hz	0.46 A
AB100M-AC	115/230v Ac/Dc $\approx$	420 Hz	0.13 A
AB100M-BB	Weatherproof back-box •		



$\infty$  On 20  
MINUTES MAX

dB III

°C -20+40

IP 51/65\*

/60 Hz

Kg 0.7

**MOFLASH**  
SIGNALLING LTD

Unit 18, Klaxon Industrial Estate  
Warwick Road, Tyseley,  
Birmingham B11 2HA  
England

E mail: sales@moflash.co.uk  
Web: <http://www.moflash.co.uk>  
Tel: ++44 (0) 121 707 6681  
Fax: ++44 (0) 121 707 8305