

Sonos Sounder Beacon (DC)



Features

- Low current LED beacon
- Simple 'First Fix' installation (no second fix wiring)
- Smooth flow cabling for faster installation
- Quick connect/disconnect
- No locking screw required
- Tone and volume can be preset or adjusted off-base
- Weatherproof to IP65 (deep base units)
- Choice of lens colours
- Sounder and beacon can be controlled separately

Overview

A general purpose electronic sounder for fire, security and industrial applications; the Sonos Sounder Beacon is certified to EN54.

With the TimeSaver base, connections are made to the base during the initial wiring phase which results in faster and more reliable installation. The sounder head 'twists and clicks' into the base on commissioning, avoiding the wiring and connection problems associated with traditional sounders.

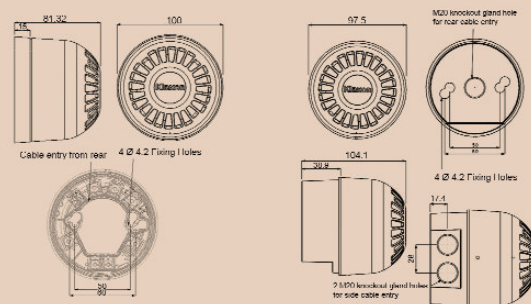
With a choice of 32 tones including all the major international standards, the Sonos Sounder Beacon has universal acceptance.

The Sonos Sounder Beacon utilises a full faced, translucent sounder case rather than a separate add-on beacon giving a much larger lens area and a greater spread of light.

This Sounder Beacon has a link installed on its circuit board at the time of manufacture which allows the sounder and beacon unit to operate together, eliminating the need for a wired link during installation.

Applications

- Fire; security; industrial alarm



Shallow Base

Deep Base

- Fire
- Security
- Industrial
- Railway/Marine
- Hazardous Area
- Public Warning

Part No.	Colours	Audibility at 1m (tone dependent)	Tones	Voltage	Current (tone dependent)
18-980500 (shallow base)	Red base, red lens	Up to 106dB (A)	32	17-60V DC	10-50mA
18-980579 (shallow base)	Red base, red lens (with link)	Up to 106dB (A)	32	17-60V DC	10-50mA
18-980503 (shallow base)	Red base, amber lens	Up to 106dB (A)	32	17-60V DC	10-50mA
18-980581 (shallow base)	Red base, amber lens (with link)	Up to 106dB (A)	32	17-60V DC	10-50mA
18-980501 (deep base)	Red base, red lens	Up to 106dB (A)	32	17-60V DC	10-50mA
18-980570 (deep base)	Red base, red lens (with link)	Up to 106dB (A)	32	17-60V DC	10-50mA
18-980504 (deep base)	Red body, amber lens	Up to 106dB (A)	32	17-60V DC	10-50mA
18-980580 (deep base)	Red body, amber lens (with link)	Up to 106dB (A)	32	17-60V DC	10-50mA

Other colours/combinations are available on request

IP Rating: IP65 (deep base) **Rating:** Continuous **Frequency:** 400-2850Hz **Operating Temp:** -25°C to +70°C
Construction: Flame Retardant Polycarbonate **Cable Entries:** DB: 2 x 20mm cable glands
Weight: 250g (deep base) 215g (shallow base) **Compliance:** EN54 3 A (deep base) EN54 3 B (shallow base)